

10' X 20' OFFICE CUBE



Tough enough for any environment

The 10' x 20" Office Cube provides an ideal solution for temporary and permanent office space, particularly in rural or challenging environments.

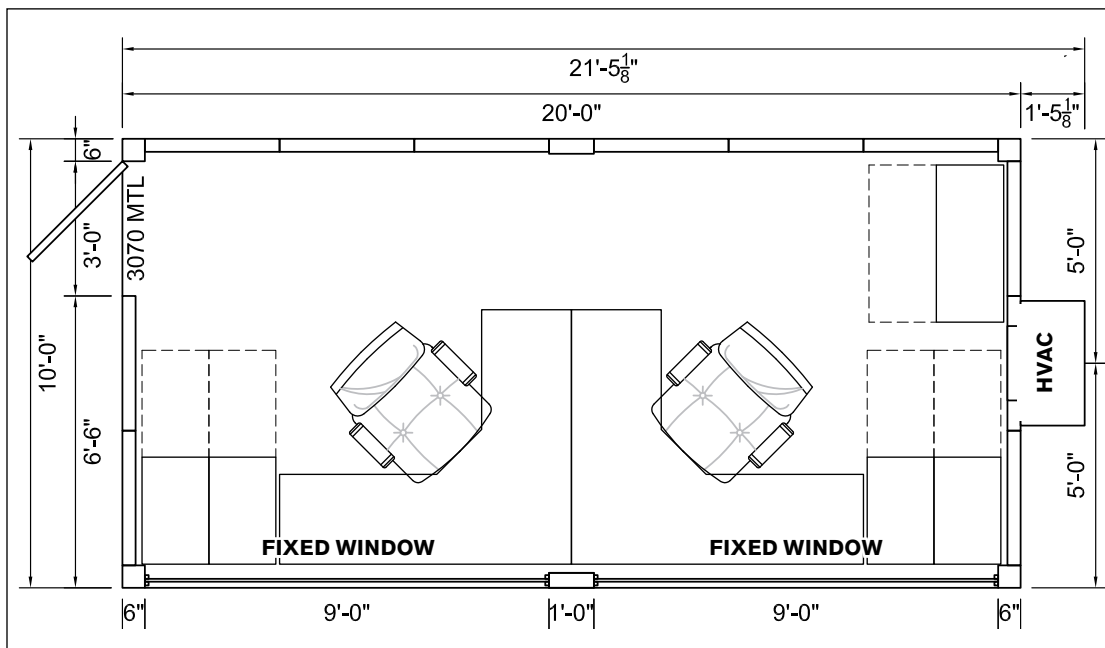
XTREME CUBES[™]
BY XTREME CUBES CORPORATION 

10' X 20' OFFICE CUBE

Contact Us
T: 800-497-1704
E: cuberfq@xmfg.com

STANDARD FEATURES

- 10'w x 20'l x 10'h space frame with built-in fork pockets
- Imron polyurethane paint - Xtreme white
- 3' x 3' x 9' steel wall panels (4)
- 3' x 9' x 9' steel wall panels (3)
- 3' x 9' x 9' steel wall panel with 3' x 7' steel man door
- 3' x 9' windows (2)
- Exterior single-phase load center and breakers
- 8' Interior LED lights (2)
- Emergency ballast
- Light switch
- Exterior light
- Duplex outlets (7)
- 1.5-ton wall-mount heat pump HVAC
- 1-1/8" CDX plywood flooring with 0.05" HDPE laminate
- Utilite wall paneling
- R-21 spray foam insulation in walls
- R-28 spray foam insulation in floor
- R-35 spray foam insulation in roof



ABOUT XTREME CUBES

- Welded structural steel tube frame enhances the Cube's overall strength and increases options for customization.
- The standard Cube height is 10'. Cube lengths and widths are available in increments of 8', 10' and 12'.
- Modular wall panels can be easily customized with doors, windows, and other options.
- Premium components are utilized inside and out for durability and long life.
- Each Cube is engineered to your specific location conditions to withstand snow load, wind load and seismic events.
- Utility connections are preconfigured for a convenient and simple installation.
- Installation is quick and simple. When delivered, Cubes can be set in position, connected to site utilities and ready to use immediately.

XTREME CUBES

www.xtremecubescorp.com